

Fact Sheet

Oil & Gas Industries



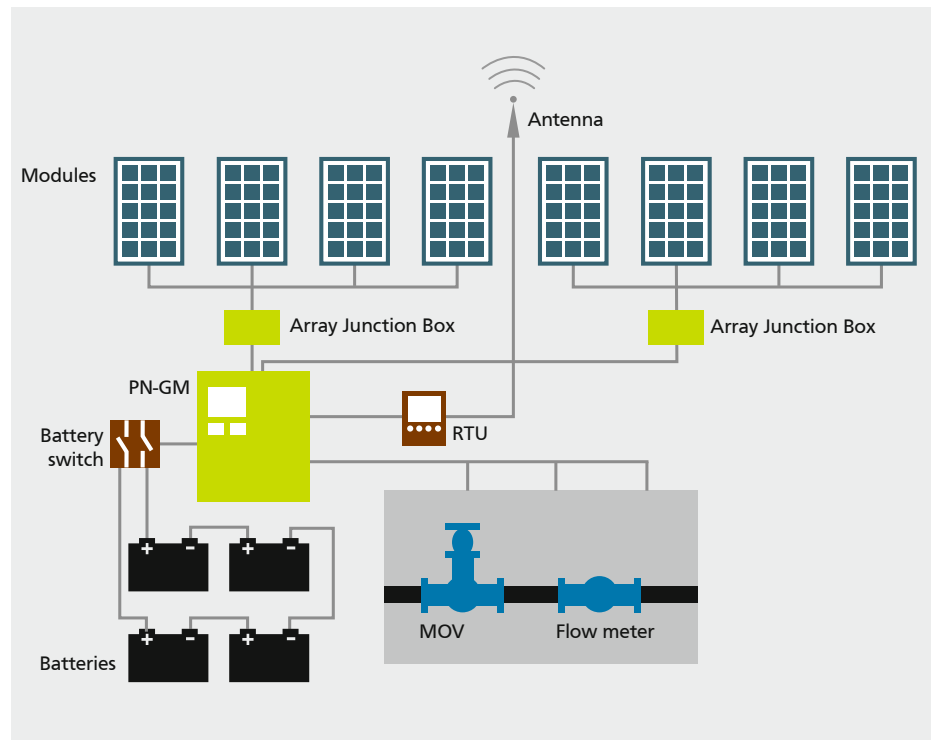
The Solution for Oil & Gas Providers

Oil & Gas Power Systems

Main components are PV array on support structure (solar generator), solar charge controller (energy control & monitoring), battery bank (energy storage) and distribution box from where the power is routed to the different consumers. These are sized according to the site insolation and supplied load profile to continuously and reliably provide power to the different loads within their specified voltage tolerance.

Many remote oil & gas installations require power for loads such as wellhead control panels, control valves, chemical dosing systems, flow meters, video surveillance and the like.

These installations have high standards to maintain and must operate effectively and reliably in harsh environments both on land and offshore. Sometimes they are required for hazardous locations where explosion proof certification is required. Only high quality certified components are used from reputable suppliers. Monitoring and communication capability is also often a feature.

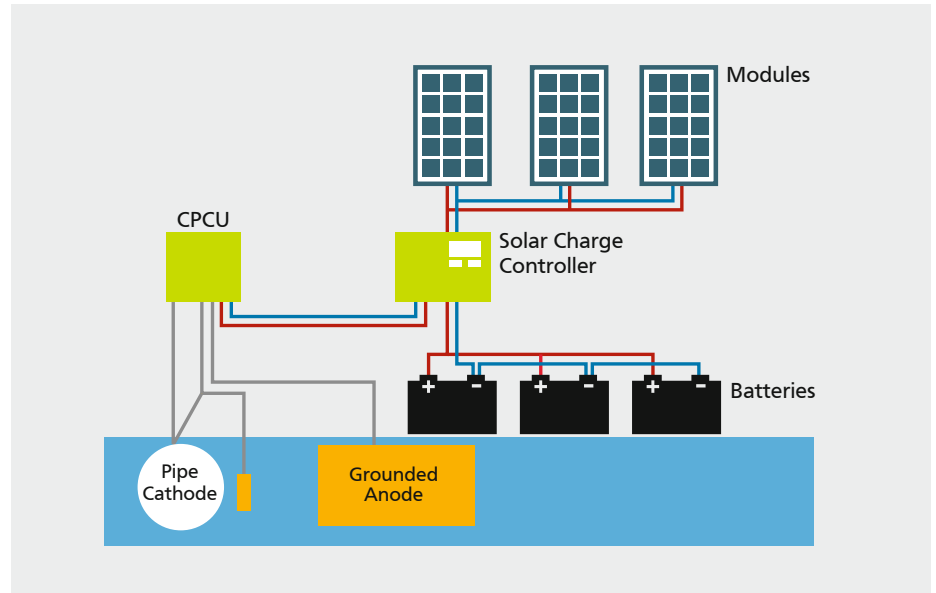


Applications:

Cathodic Protection

Main components are PV array on support structure (solar generator), solar charge controller (energy control & monitoring), battery bank (energy storage) and cathodic protection control unit. These are sized according to the site insolation and requested CP current to continuously and reliably inject the required current into the pipeline.

In order to protect valuable buried pipelines from corrosion, an impressed current cathodic protection system is installed. This continuously injects a current along the pipeline to prevent the anodic reaction of metal dissolution occurring on the structure under protection. In remote areas the power for this can be derived from a solar power system. The system comprises PV array, charge controller, battery bank and cathodic protection control unit.



Other applications

- Wellhead control panel
- Control valves
- Chemical dosing systems
- Flow meters
- Video surveillance



